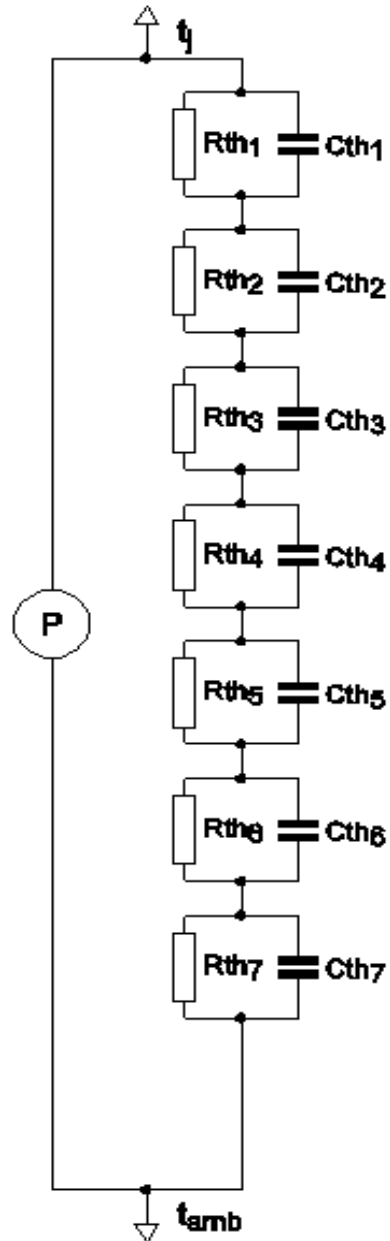


## SPICE thermal model

BUK9K6R2-40E

Symbol	Parameter	Conditions	Min	Typ	Max	Unit
$R_{th(j-mb)}$	thermal resistance from junction to mounting base		-	-	2.21	K/W

$C_{th1}$	3.976E-05 F
$C_{th2}$	2.164E-04 F
$C_{th3}$	3.017E-04 F
$C_{th4}$	1.378E-03 F
$C_{th5}$	5.688E-03 F
$C_{th6}$	6.507E-03 F
$C_{th7}$	1.055E-01 F
$R_{th1}$	2.295E-03 $\Omega$
$R_{th2}$	5.374E-03 $\Omega$
$R_{th3}$	3.333E-02 $\Omega$
$R_{th4}$	6.878E-02 $\Omega$
$R_{th5}$	2.139E-01 $\Omega$
$R_{th6}$	1.358E+00 $\Omega$
$R_{th7}$	5.236E-01 $\Omega$



Part: BUK9K6R2-40E  
 Date: 20/3/2013  
 Rth 2.21 K/W